

211/7	DEMINESC A. ROMAN
211/8	GEORGESCU CLARA
211/9	CHITIDEAN A. ION
211/10	CUCUIAN NICOLAE
211/11	MUNTEAN V. ADELIA
211/12	MUNTEAN ROMULUS
211/13	CHITIDEAN ION
211/14	FILIP G. MARIA

T20 A223/7	PADUREAN MARCELA
T20 A223/8	REZERVA
T20 A223/9	IOIESCU IMARIA
T20 A223/10	GESCU IOAN
T20 A223/11	PERPROESC G. GHEORGHE
T20 A223/12	ROMAN EVA
T20 A223/13	FILIP G. MARIA
T20 A223/14	BORITA GHEORGHE
T20 A223/15	BARBARA ION NUTU
T20 A223/16	COJAN D. GHIZELIA
T20 A223/17	BARBORAI IOAN
T20 A223/19	DRAGOIU AUREL DOREL

T20 A231/1/16	BARBARA ION NUTU
T20 A231/1/15	DEMINESC A. ROMAN
T20 A231/1/14	BARLOVAN P. IOAN
T20 A231/1/13	GEORGESCU CLARA
T20 A231/1/12	PADUREAN PAVEL
T20 A231/1/11	PREDONI A. ROMULUS
T20 A231/1/10	MUNTEAN ROMULUS
T20 A231/1/9	MATESOI N. LUCREȚIA
T20 A231/1/8	STANCULEA A. GHEORGHE
T20 A231/1/7	MUNTEAN IORDAN
T20 A231/1/6	UIETI GHEORGHE
T20 A231/1/5/2	MUNTEAN IOAN
T20 A231/1/5/1	BARBARA T. TRAIAN
T20 A231/1/4	DEMINESC ARON
T20 A231/1/3	BANEASA A. MARIA
T20 A231/1/2	GRUIESC GHEORGHE

T21 A244/10	GUTU IOSIF EUGEN, GUTU ELENA
T21 A244/9	STANCULEA A. GHEORGHE
T21 A244/8	MUNTEAN IORDAN
T21 A244/7	BARBARA T. TRAIAN
T21 A244/6	TODOSOI I. PETRU
T21 A244/5	DEMINESC ARON
T21 A244/4	GRUIESC GHEORGHE
T21 A244/3	MARINESCU MARIA
T21 A244/2	PADUREAN PAVEL
T21 A244/1	TOLTEAN GHEORGHE

T22 A254/8	MUNTEAN IORDAN
T22 A254/7	UIETI GHEORGHE
T22 A254/6	KISS MANUELA MARIA, KISS ERNO
T22 A254/5	UIETI GHEORGHE
T22 A254/4	GHEORGHION I. VORICA
T22 A254/3	BISTRAN I. ARON
T22 A254/2	IGNAT A. GHEORGHE
T22 A254/1	TOLTEAN GHEORGHE

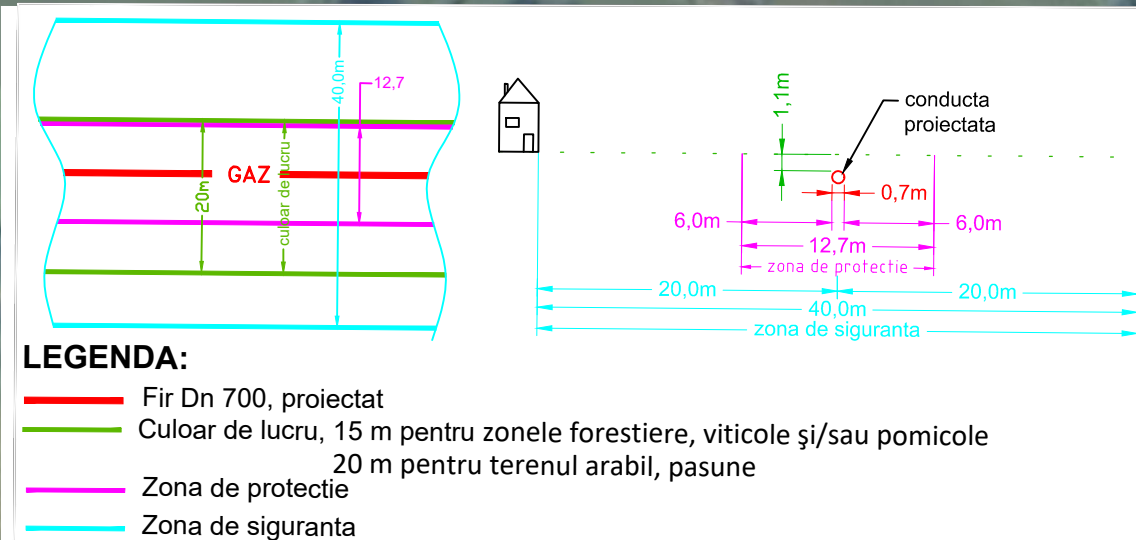
T85 A917/2/45	TODORAN MARIA
T85 A917/2/46	CISMASIU MARIA
T85 A917/2/47	BISCA ADELIA
T85 A917/2/48	CIOROGAR PETRU
T85 A917/2/49	CIOROGAR PETRU
T85 A917/2/50	URIAN PETRU
T85 A917/2/51	SACELEAN ION
T85 A917/2/52	DURLESCU IOAN
T85 A917/2/53	BORCA TITA
T85 A917/2/54	MUNTEAN S. VICTORIA

T85 A917/2/55	CULDA DANIELA
T85 A917/2/56	ORASUL CALAN
T85 A917/2/57	ORASUL CALAN
T85 A917/2/58	CULDA GHEORGHE
T85 A917/2/59	ORASUL CALAN
T85 A917/2/60	ORASUL CALAN
T85 A917/2/61	ORASUL CALAN
T85 A917/2/62	ORASUL CALAN
T85 A917/2/63	ORASUL CALAN
T85 A917/2/64	ORASUL CALAN
T85 A917/2/65	ORASUL CALAN

T85 A927/3/3	MUNTEAN ALEXANDRU
T85 A927/3/5	CRACIUN VALERIA
T85 A927/3/4	PENTELECIUC NICOLAE
T85 A927/3/33	TARLEA MIHAIL
T85 A927/3/33	SERAFIM BATA
T85 A927/3/33	SERAFIM BATA
T85 A927/3/33	SERAFIM BATA
T85 A927/3/33	SERAFIM BATA
T85 A927/3/33	SERAFIM BATA
T85 A927/3/33	SERAFIM BATA
T85 A927/3/33	SERAFIM BATA

T85 A927/2/8	MUNTEAN LUDOVIC
T85 A927/2/9	TARLEA GHEORGHE
T85 A927/2/30	FRENTON MIHAI
T85 A927/2/31	BARBONI VALERIA
T85 A927/2/8	MUNTEAN LUDOVIC
T85 A927/2/8	MUNTEAN LUDOVIC
T85 A927/2/8	MUNTEAN LUDOVIC
T85 A927/2/8	MUNTEAN LUDOVIC
T85 A927/2/8	MUNTEAN LUDOVIC
T85 A927/2/8	MUNTEAN LUDOVIC

T85 A927/2/8	MUNTEAN LUDOVIC
T85 A927/2/8	MUNTEAN LUDOVIC
T85 A927/2/8	MUNTEAN LUDOVIC
T85 A927/2/8	MUNTEAN LUDOVIC
T85 A927/2/8	MUNTEAN LUDOVIC
T85 A927/2/8	MUNTEAN LUDOVIC
T85 A927/2/8	MUNTEAN LUDOVIC
T85 A927/2/8	MUNTEAN LUDOVIC
T85 A927/2/8	MUNTEAN LUDOVIC
T85 A927/2/8	MUNTEAN LUDOVIC



LEGENDA:

- Fir conducta proiectata Dn 700
- Limita teritorial administrativa
- Limita intravilan
- Delimitare parcele
- De - Drum exploatare Dc - Drum comun
- DN- Drum national DJ - Drum judetean
- Teren afectat de culoarul de lucru al conductei proiectate DN700

REV.	DES.	DATA	VER.	DATA	APR.	DATA	COMENTARII
INFORMATII CU ACCES LIMITAT							
DESENUL/DOCUMENTUL ESTE PROPRIETATEA SNTGN TRANSGAZ SA, TRANSMITEREA SAU REPRODUCEREA INTEGRALA SAU PARTIALA, FARA APROBAREA SCRISA S.N.T.G.N. TRANSGAZ S.A., SE SANCTIONEAZA CONFORM LEGII Nr. 8/1996							
				Conducta de transport gaze naturale Hațeg-Mintia pentru alimentarea CET Mintia			
DEPARTAMENTUL PROIECTARE SI CERCETARE				PT TG_INV 10677/ 2022			
Ridicat TOPO	SNTGN TRANSGAZ S.A.			Scara 1 : 2000			
Proiectat	ing.D.Langa			data: 2024			
Desenat	ing.D.Langa			1000x297			
Verificat	ing.I.Pop						
Aprobat	ing.A.Brasoveanu						